

**Description**

The Economy **Power-D-Box®** is a compact 2RU power distribution system (2 rack units). The redundantly designed system accommodates 8335 or 8340-F magnetic or hydraulic-magnetic plug-in type circuit breakers. The busbars as well as the group signalisation are insulated in a moulded enclosure, so that live parts cannot be touched. Connection of loads is from the front via blade terminals which are protected against reverse polarity. Besides various preferred types, we can offer individual solutions, perfectly tailored to your application.



**Economy Power-D-Box®**

**Features**

- 19" power distribution system, made of aluminium
- Voltage rating DC 48 V, 65 V, 80 V
- Minus pole protected
- Optional power distribution systems (X8340-S02, X8340-S04, X8340-SZ4)
- Total current depending on integral power distribution system up to 80 A per supply.
- Load as per integral power distribution system up to 30 A per circuit breaker.
- Integral cable grip rail
- Optional accessories: load output connectors protected against reverse polarity, extracting tool, blind cover
- Application-specific assembly options, e.g. back-up fuse, separate circuits, redundant and non-redundant circuits etc. upon request

**Your benefits**

- Compact and service-friendly design
- Easy mounting in 19" and ETSI system cabinets by means of reversible flanges
- Reliable alarm management by means of group signalling
- Ease of system extension during operation thanks to plug-in type circuit protectors
- Redundant power supply ensures unrivalled system uptime

**Preferred types – for more details on all configurations please see order numbering code**

Preferred types are E-T-A products most frequently used by E-T-A customers. We manufacture E-T-A preferred types in particularly high volumes. Our preferred types are supplied at shorter lead times than non-standard versions.

Preferred types	Short description
PDB-N-S2 12	Load current max. 132 A with 2 x 6 front-side load terminals
PDB-N-S2 16	Load current max. 132 A with 2 x 8 front-side load terminals
PDB-N-S4 08	Load current max. 160 A with 2 x 4 front-side load terminals
PDB-N-SZ 08	Load current max. 125 A with 2 x 4 front-side load terminals

**Information online**

For access to the latest documents please follow:

<http://www.e-t-a.de/e702>

**Technical data**

19" <b>Power-D-Box</b> ®	wide: 482,6 mm (19" Montage) height: 89 mm (2U) mounting depth: 288 mm material: aluminium
Rated voltage	DC 48 V; DC 65 V; DC 80 V
Fire resistance (IEC 60695, Part 2-2)	self-extinguishing

**Details of power distribution system:**

<b>X8340-S02</b>	
Load	25 A per position (30 A upon request) 132 A for complete unit
Terminal design	
Supply feed (terminal block)	screw-terminal 6...50 mm <sup>2</sup> , multistrand, supply 6...35 mm <sup>2</sup> with wire end ferrule additional blade terminals DIN 46244-A6,3x0,8
Load (module)	blade terminals 6.3x0.8 load output terminal protected against reverse polarity front
Signalling (module)	blade terminals DIN 46244-A4.8x0.8mm
<b>X8340-S04</b>	
Load	20 A per position 80 A per module

**Technical data**

Terminal design	
Supply feed	screw terminal supply 6...25 mm <sup>2</sup> multistrand, 6...16 mm <sup>2</sup> with wire end ferrule
Load and signalling	screw-less terminal 0.5...2.5 mm <sup>2</sup> , multistrand, with wire end ferrule, on the front side
<b>X8340-SZ4</b>	
Load	25 A per position (30 A upon request) 150 A for the distribution system
Terminal design	
Supply feed	copper busbar 10 x 3 mm with hole ø 5.3 mm current supply from the rear side
Loads	blade terminals 6.3 x 0.8 mm, load output terminal protected against reverse polarity on front and rear side
Signalling	signalisation 6.3 x 0.8 mm plug-in direction as circuit breakers, opposite the main terminal side
Conformity	CE to EN62368-1

**Preferred types**

Preferred types are E-T-A products most frequently used by E-T-A customers. We manufacture E-T-A preferred types in particularly high

volumes. Our preferred types are supplied at shorter lead times than non-standard versions.

Preferred types	Short description
PDB-N-S2 12	Load current max. 132 A with 2 x 6 front-side load terminals
PDB-N-S2 16	Load current max. 132 A with 2 x 8 front-side load terminals
PDB-N-S4 08	Load current max. 160 A with 2 x 4 front-side load terminals
PDB-N-SZ 08	Load current max. 125 A with 2 x 4 front-side load terminals

**Ordering information**

<b>PDB</b>	standard <b>Power-D-Box</b> ® 19" with interchangeable ETSI flange – 19"
	<b>protected pole</b>
<b>N</b>	negative pole protected
	<b>Module</b>
<b>S2</b>	X8340-S02L/R...-103*
<b>S4</b>	X8340-S0416-2*
<b>SZ</b>	X8340-SZ4R/L...-101-00*
	<b>xx number of ways (total)</b>
<b>PDB - N - S2 08</b>	ordering example

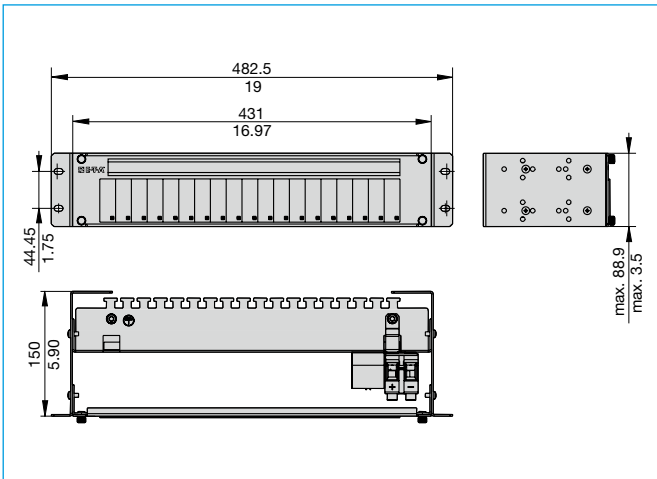
\*technical data on www.e-t-a.de

**Custom designed versions**

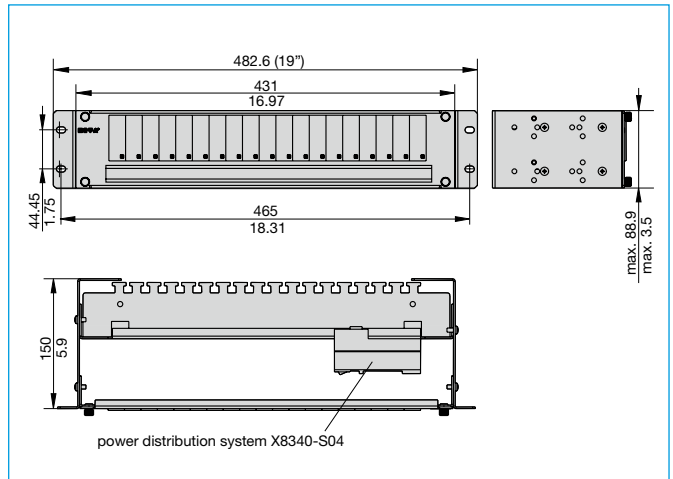
Looking for a version you cannot find in our ordering number code? Please get in touch. We will be pleased to find a solution for you.



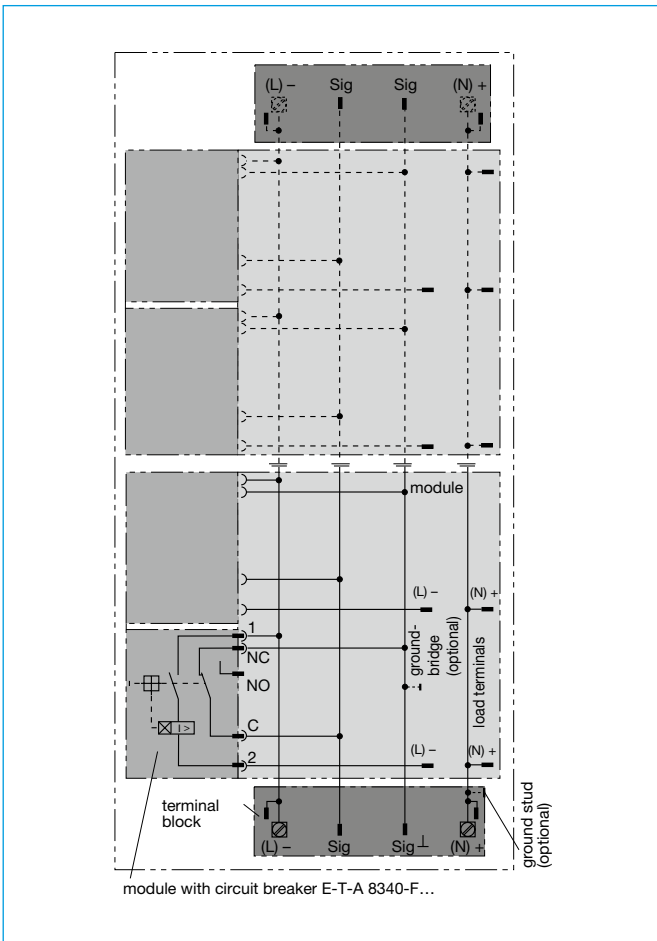
**Dimensions PDB-N-S2**



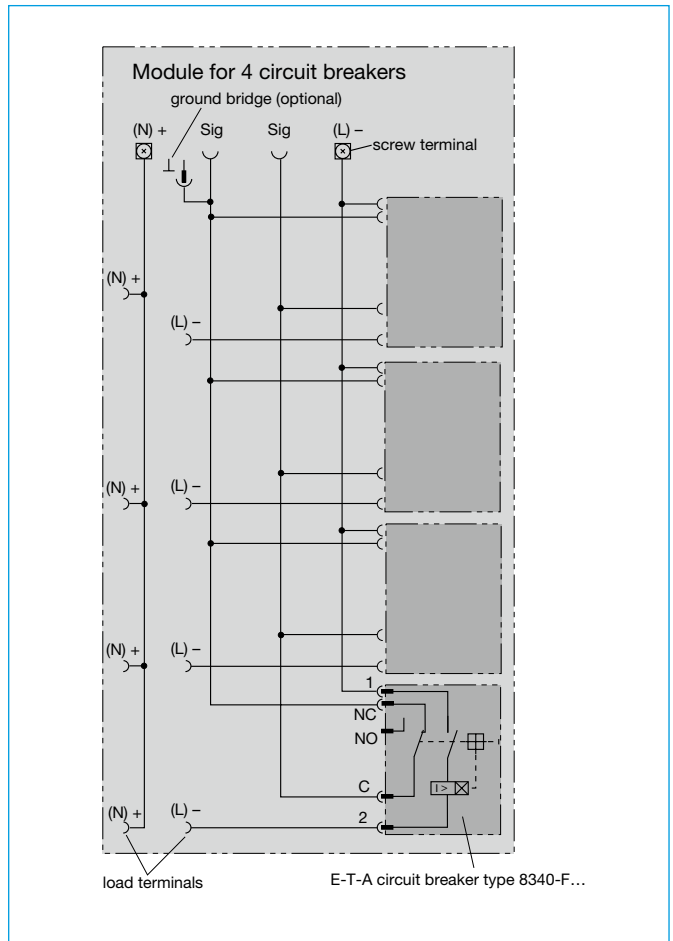
**Dimensions PDB-N-S4**



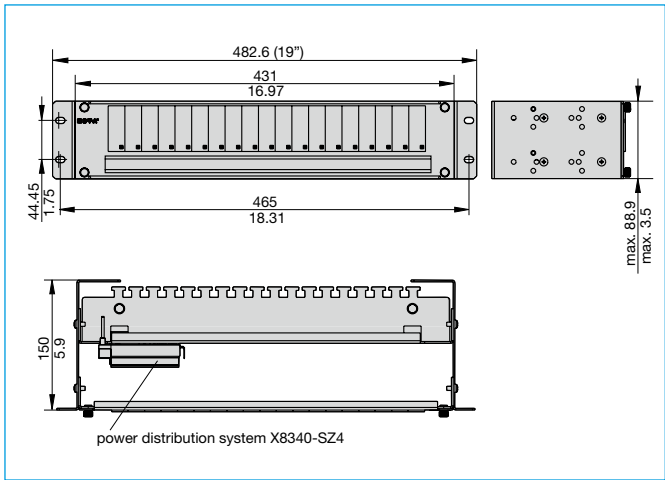
**Schematic diagram PDB-N-S2**



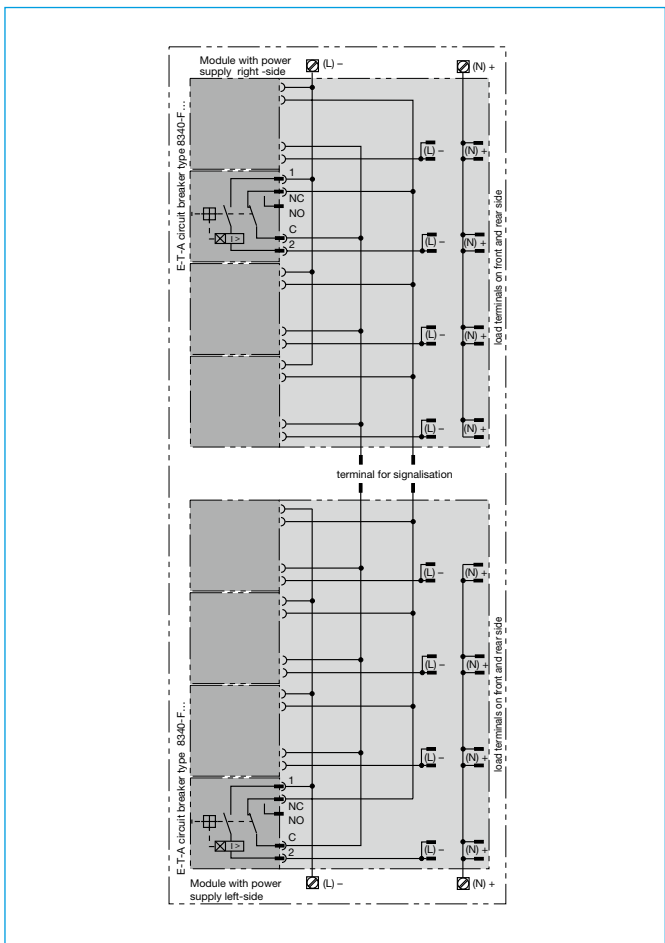
**Schematic diagram PDB-N-S4**



**Dimensions PDB-N-SZ**

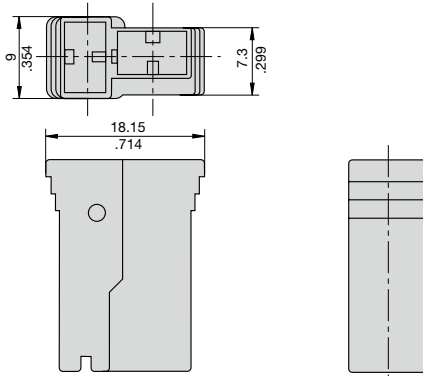


**Schematic diagram PDB-N-SZ**

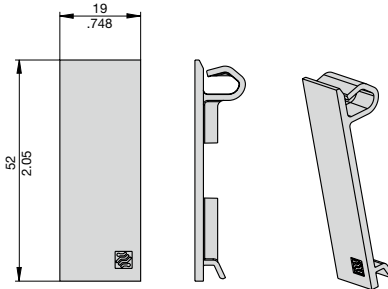


**Accessories**

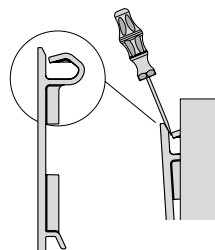
**Load output terminal protected against reverse polarity**  
 (set: 4 moulded sleeves, 8 blade terminals 6.3 x 0.8 mm)  
**X 222 847 01** for cable cross section 0.7...2.0 mm<sup>2</sup>  
**X 222 625 01** for cable cross section 2.5...4.0 mm<sup>2</sup>  
**X 222 848 01** for cable cross section 4.0...6.0 mm<sup>2</sup>



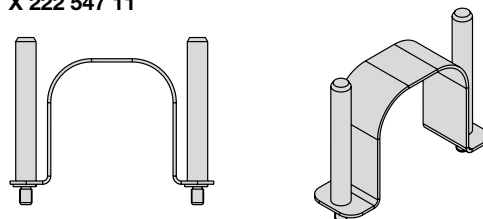
**Blanking piece for Power-D-Box**  
 (circuit breaker types 8340, 8345)  
**Y 308 563 11**



**For removing the blanking piece:**  
 push in the screwdriver as shown below



**Withdrawal tool**  
 (circuit breaker types 8340-F)  
**X 222 547 11**



All dimensions without tolerances are for reference only. In the interest of improved design, performance and cost effectiveness the right to make changes in these specifications without notice is reserved. Product markings may not be exactly as the ordering codes. Errors and omissions excepted.